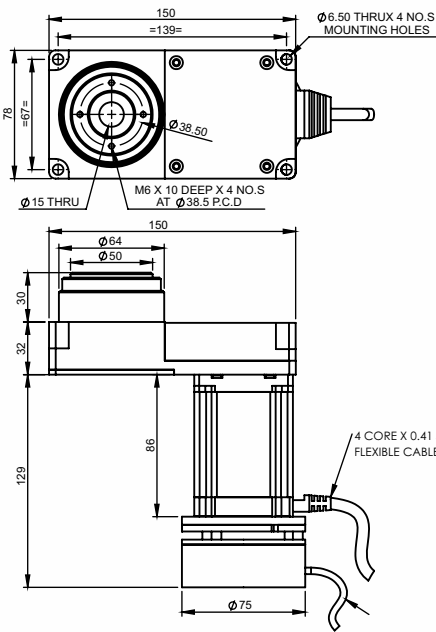


SPECIFICATION SHEET
Bholanath

Rotary Indexing System
BH-RIS-01A(M+E)

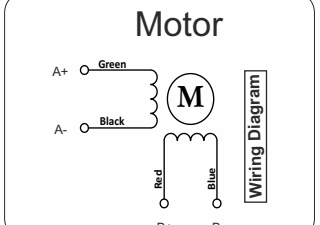


Stepper Motor Based Highly Accurate Rotary Indexing System Models- BH-RIS-01 -A Bholanath Rotary Indexing Systems are Used in all Automation Applications, Machine Tools and General Industry Applications Bholanath Manufacture Stepper Motor , Stepper Drives ,Power Supplies & Stepper Drive Controllers That Perfectly Compliment Rotary Indexing Systems.



BRAKE DETAILS :
Torque : 3 Nm
Voltage : 24 V
Current at 20°C - 0.4 Amps
Power Consumption at 20°C : 9.34 Watts

White +
Black -
24VDC



Indexing Degree :- 0.6°..3°..30°,45°,60°, 90°...180°...360°...
{n(3)/1.8} where n is Indexing degree.

Example:- n=270°
=(270X3)/1.8
=450(Hence 270° indexing is possible)

Note:- Continuous Movement up to 100RPM.

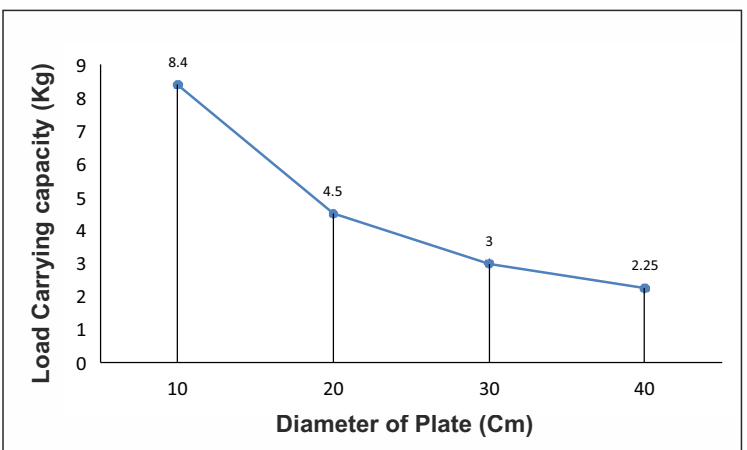
Stepper Drive
BH-SMART-4.5A
Weight :- 350 gm
Qty 01 Nos

Power Supply
BH-48VDC
Weight :- 3KG
Qty 01 Nos

Stepper Drive Controller
BH-SDC-01-N
Weight :- 0.3 KG
Qty 01 Nos

TECHNICAL DATA

SPECIFICATION	Model No	BH-RIS-01-A (M+E)
1	Maximum load carrying capacity(kg)	8.4
2	Permissible Feed Speed (RPM)	0 to 100
2	Gear Ratio of Indexing Table	3:1
3	Positioning Accuracy	± 1 degree
4	Degree Of protection	IP 40
5	Total Weight Of Rotary Indexing (KG)	6.0
6	Total Weight Of Systems (KG)	9.5



Model No:- BH-RIS-01-A(M+E)



Bholanath Precision Engineering Pvt.Ltd.
11,Kembros Ind.Estate , Sonapur Lane , Bhandup (W),Mumbai - 400078.
Telefax/Phone : 25662856/25664338/67993260 Email : support@bholanath.in
Mobile No : 9920903825/9821671733/9930514603/9819515543/9323166582.